



Fire-LITE® Alarms
INCORPORATED

June 30, 1997

F-200

BG-8 Series Manual Fire Alarm Pull Stations

Section: Conventional Initiating Devices

GENERAL

The **BG-8** Manual Fire Alarm Pull Station provides a single-action, normally-open contact alarm initiating point for use with UL listed Fire Alarm Control Panels.



S711



CS115



California
State Fire
Marshal

7150-0075:148

FEATURES

- Complies with Americans with Disabilities Act.
- Sturdy metal construction.
- Simple operation.
- Operation does not require replacement of parts.
- Drawing of flames on cover helps communicate purpose of this device to people who do not read English words.
- Designed to prevent false alarms when bumped, shaken, or jarred.
- Listed to UL 38.

ADA

MEA

38-93-E

APPLICATIONS

Designed for indoor use in atmospheres which are not potentially explosive. Use as a means of allowing anyone on the premises to turn in a non-coded alarm quickly, without chance of error. Typical uses include:

1. Schools.
2. Hospitals.
3. Retail stores.
4. Industrial plants.
5. Warehouses.

Compatible with any appropriate control panel to:

1. Initiate local alarm signals.
2. Trip a municipal fire alarm box.
3. Start fire pumps.
4. Any other function that can be initiated or controlled by the closing of a switch contact.

OPERATION

The stations feature non-break-glass operation. They are operated by a pull on the pull cover. This causes a key latch to act against a retaining mechanism until adequate force is applied to open the station. As the station opens, a switch is released to initiate an alarm. The retainer in Model **BG-8** is a permanent, high-tensile, *flat* spring, which eliminates the need for a glass retainer. When so operated, the cover hangs down (and cannot be reset without use of a reset key) indicating that the station was used to initiate an alarm. *OPERATED STATIONS CAN BE SEEN UP TO 100 FEET AWAY.*

The attractive design of the stations highlights their engineered simplicity and unusual dependability; bumping,



BG-8 (shown full size)

This document is not intended to be used for installation purposes. We try to keep our product information up-to-date and accurate. We cannot cover all specific applications or anticipate all requirements. All specifications are subject to change without notice. For more information, contact **Fire-Lite**. Phone: (203) 484-7161 FAX: (203) 484-7118



12 Clintonville Road, Northford, Connecticut 06472

ISO-9001
Engineering and Manufacturing
Quality System Certified to
International Standard ISO-9001



Made in the U.S.A.

shaking, or jarring will not activate the switch or circuit. Instructions for operation of the station are clearly marked on the front of the pull cover.

The **BG-8** Station is die-formed from 1/8" thick satin finish aluminum, with the operating instructions in raised letters.

BG-8 contacts rated at: 1 amp., 30 VAC, and 30 VDC.

Master key fits all stations used in an installation of the same series.

INSTALLATION

The station mounts with two screws (supplied) to a standard single-gang electrical switch box. It can also be mounted to a surface mount box. 6" wire leads are provided for making easy connections.

ARCHITECT/ENGINEERING SPECIFICATIONS

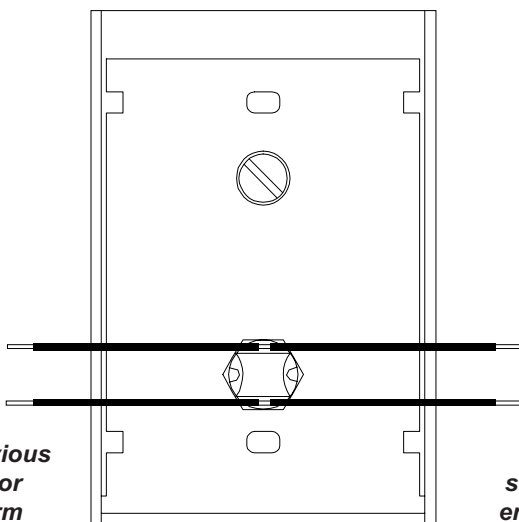
Manual Fire Alarm Stations shall be non-code, non-break-glass type equipment with a key operated reset, and so designed that after actual Emergency Operation, they cannot be restored to normal except by use of a key. An operated station shall be designed such that upon activation, it will be visually detectable at a minimum distance of one hundred feet, front or side. Manual Stations shall be constructed of die-formed aluminum, with operating directions provided on the front cover in raised letters. The word **FIRE** shall appear on the front of the stations in raised letters, five-eighths inch high or larger. Stations shall be suitable for surface mounting on matching backbox, or semi-flush mounting on a standard single-gang box or switch plate, and shall be installed within the limits defined by the Americans with Disabilities Act (ADA) dependent on manual station accessibility or per local requirements. Manual Stations shall be Underwriters Laboratories listed.

PRODUCT LINE INFORMATION

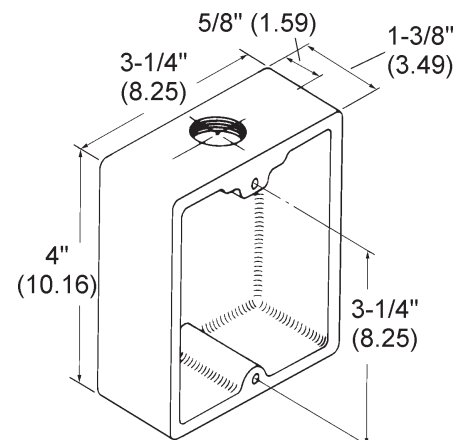
Model	Description
BG-8	Manual Fire Alarm Pull Station. Single-action. Normally-open contact.
BG-8SP	SPANISH Manual Fire Alarm Pull Station, with FUEGO (FIRE) and JALE (PULL) in large capital letters. Single-action. Normally-open contact.
BG-2R	Surface mounting backbox for BG-8 Series stations. One end tapped for 1/2" conduit. Color: MATCHING RED.



BG-8SP



BG-8/BG-8SP (Rear View)



BG Series Backbox